

SEATS NZ VINYL AIR SUSPENSION SEAT

DRIVERS SEAT



A safe and comfortable suspension seat for your vehicle. This self-leveling air suspension seat comes with a high backrest, twin chamber air lumbar support, vinyl upholstery and many other features.

Features Include:

- Supports a weight range 50kg - 130kg.
- Mechanical height adjustment of 65mm.
- Twin chamber air lumbar support.
- Horizontal adjustment of 180mm.
- High backrest.
- Backrest adjustment.
- Lock out lever (locks suspension when off highway)
- Available with right hand controls.
- Trimmed in black leather look vinyl.

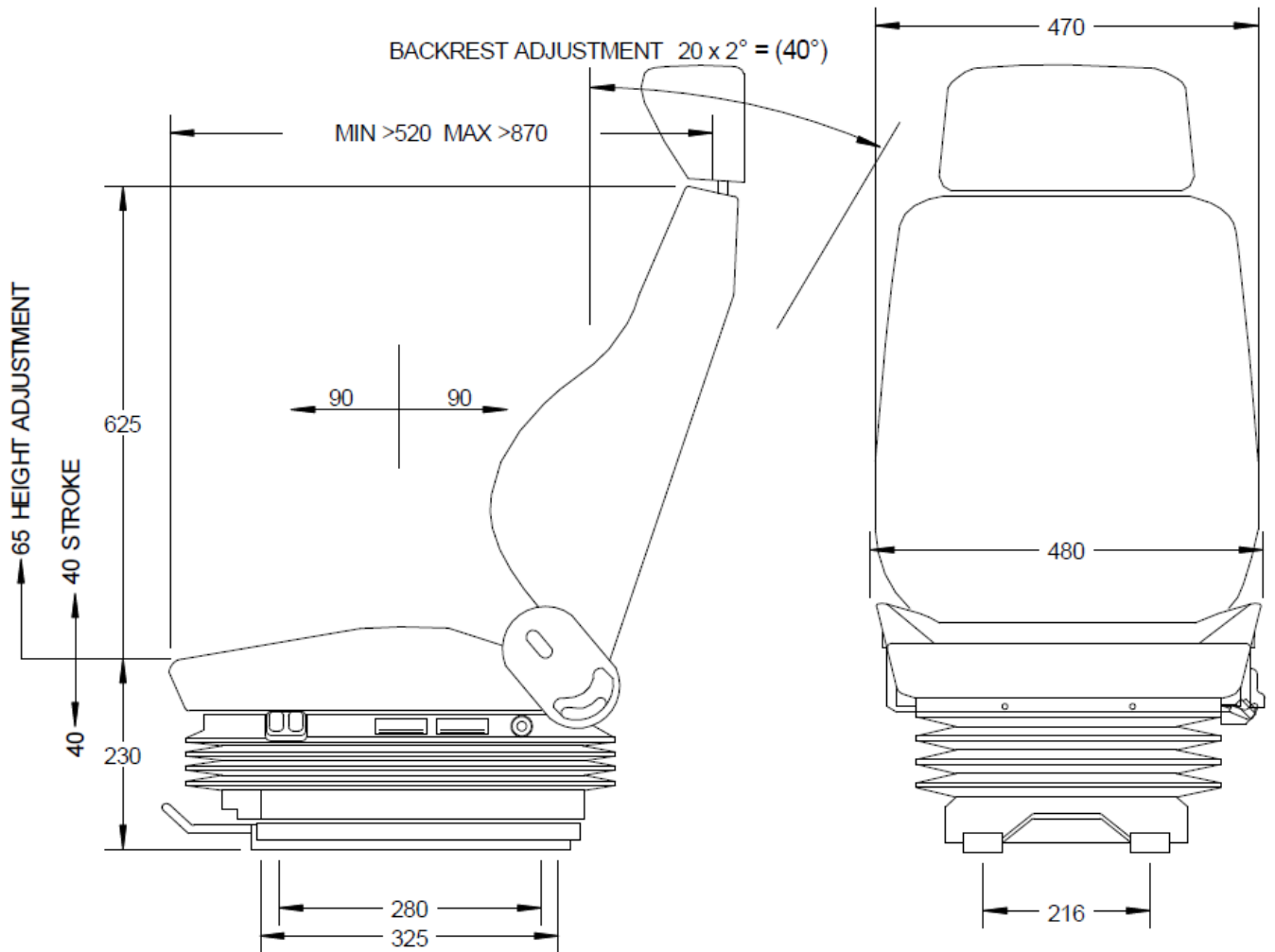
Accessories:

- Headrest
- Armrests
- Lapbelt
- Swivel



SEATS NZ VINYL AIR SUSPENSION SEAT

TECHNICAL DRAWING



Please Note: This technical drawing may not accurately depict the exact dimensions as some seat models are subject to change without notification.

